

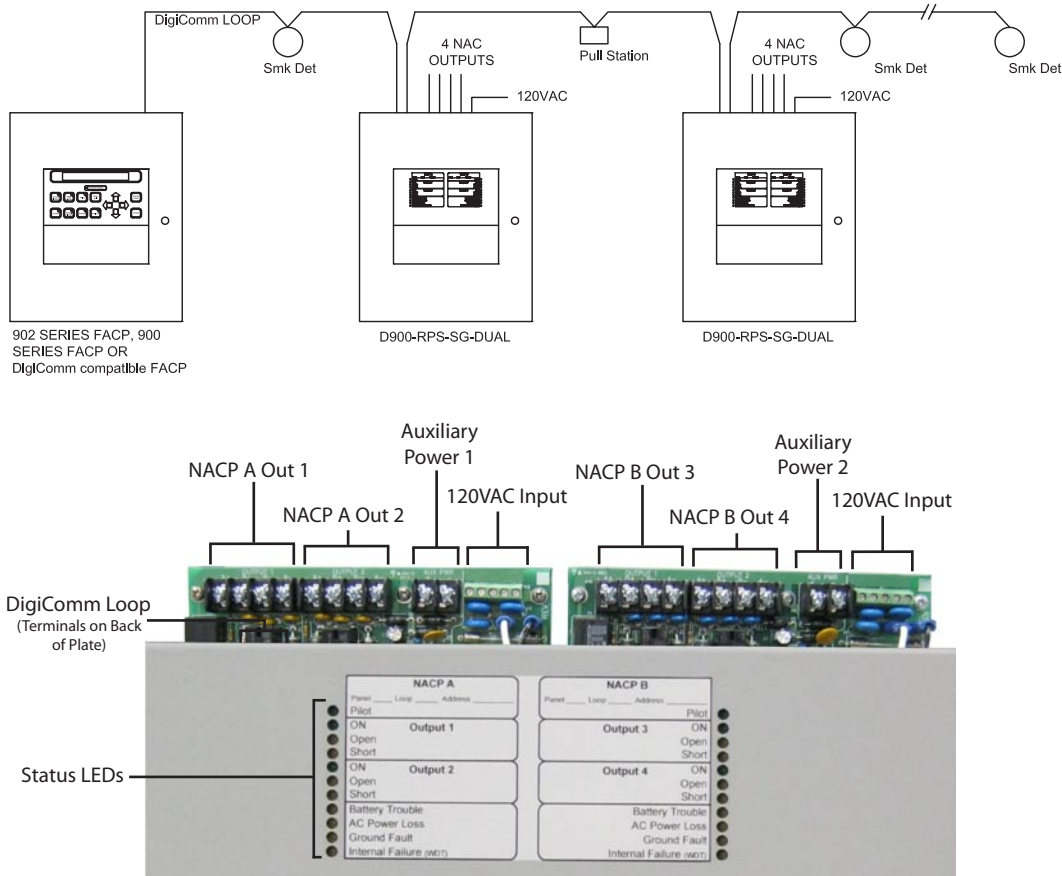
The NATIONAL TIME D900-RPS-DUAL Series Intelligent Notification Appliance Control Panel meets the increasing demand for signalling circuit power requirements of today's installations. The DUAL NACP Series provides four style Y or Z Notification Appliance Circuits (NACs) rated for a total of 10 Amps. Two 24 VDC (0.5 A) auxiliary power outputs provide extra power for ancillary equipment such as remote annunciators and LAN connections. The two DigiComm™ analog addressable loop addresses provide enough information to individually identify over 28 statuses including AC Failure, Bad Battery, individual circuit open/short/over-current, Ground Fault, and more providing remote trouble diagnostic identification of fault conditions by way of the FACP display. Status LEDs are also provided on the front panel for easy fault identification at the NACP.

The D900-RPS-DUAL-SG is capable of synchronized horn (temporal) and strobe operation directly from the NAC outputs without the need of a synchronization module. Furthermore, these panels provide independent control of horns and strobes on the same pair of wires for audible alarm silence operation.



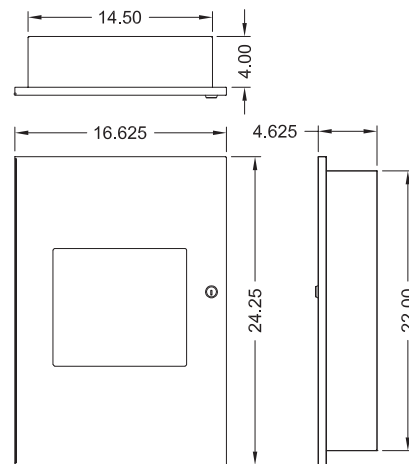
Features:

- 4 Notification Appliance Circuits
- 10 Amps of Notification Appliance Power (4 x 2.5A)
- Style Y (Class B) or Style Z (Class A)
- Synchronized Control of Horns and Strobes
- Silence Horns with Strobes
Operating on a Single Pair of Wires
- All Trouble Indications for each Circuit at Main Panel and Front Panel LEDs
- (2) 24 VDC 0.5A Auxiliary Power Outputs
- U.L. 864 9th Edition Listed



Specifications

- PRIMARY POWER:** 120VAC @ 50/60Hz
- BATTERY POWER:** 24 VDC; 5 Ah (Two Sets Required)
- NAC POWER:** 10 Amps; (4) 2.5A Outputs; Style Y or Z
- COMMUNICATION:** Digicommm™ Addressable Communication Loop
- AUXILIARY POWER:** (2) 24VDC @ 0.5A max.
(Not to exceed required battery backup calculation)
- MAX. TEMP. RANGE:** 32° - 120°F (0 - 49°C)
- HUMIDITY:** 85% Non-condensing max.
- DIMENSIONS:** See Figure



Ordering Information

Part No.	Description
D900-RPS-SG-DUAL	Dual Notification Appliance Control Panel (NACP)

Accessories

Part No.	Description
B-5.0	5 Ampere Hour - 24 VDC Battery Pack